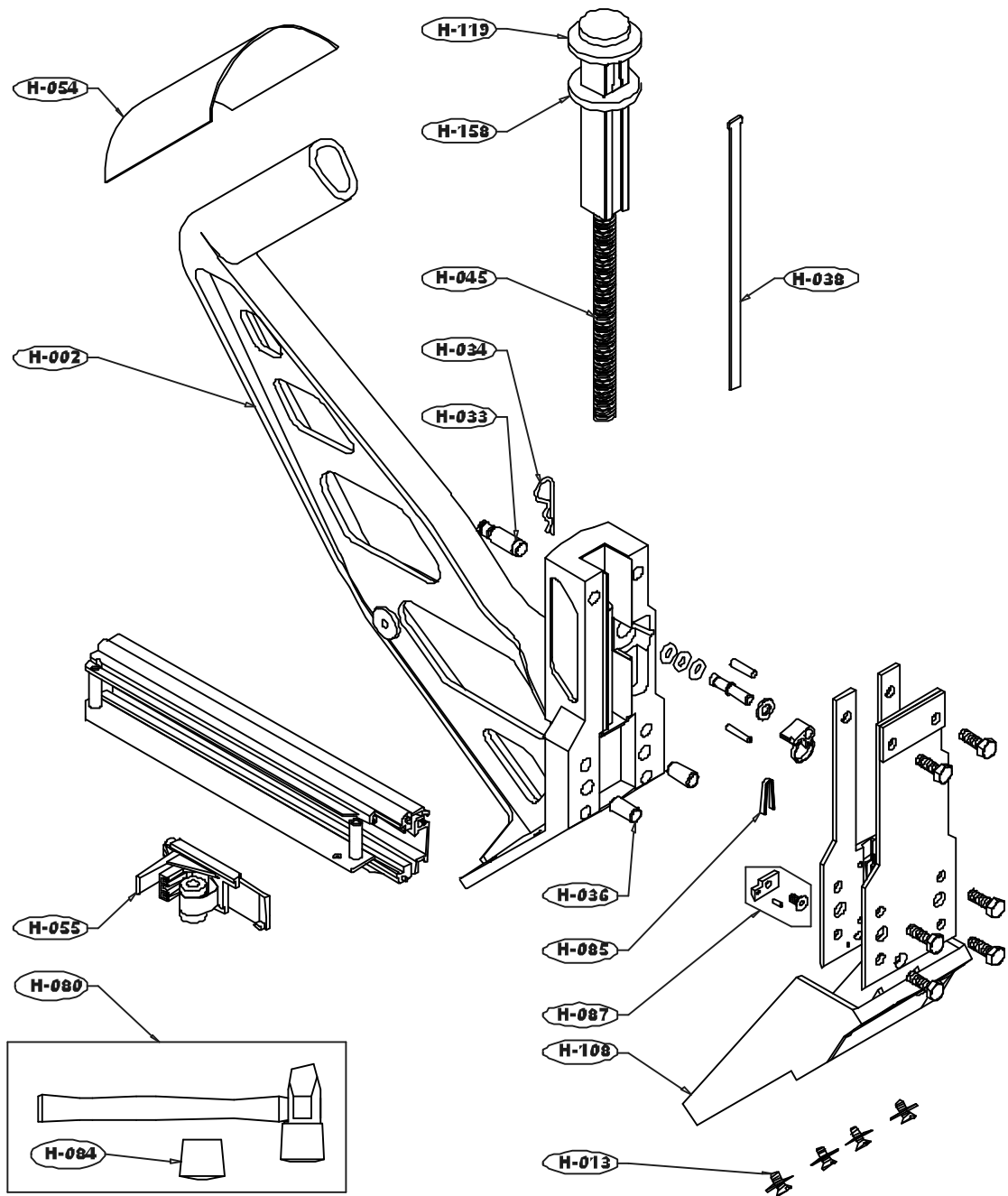


# Primatech

## H330



H-002	Main body	Cuerpo principa	Bâti principal
H-013	Screws & washers	Tornillo	Vis & rondelles
H-020	Ratchet assy	Asamble del retén	Rochet
H-033	Pin	Pasador	Tige
H-034	Hitch Pin	Pasador	Goupille
H-036	Pins	Pasador	Goupilles
H-037	Bolts	Tornillo	Boulons
H-038	Driving blade	Percusor	Tige de poussée
H-045	Spring	Muelle	Ressort
* H-050	Feeder "L"	Cargador "L"	Magasin "L"
H-055	Spring & Clip	Asamble de alimentador	Coulisseau
H-087	Block	Bloque	Bloc de renfort
H-108	Plastic base	Base de plástico	Semelle
H-119	Piston	Piston	Piston
H-130	Guide	Guía	Guide
H-144	Foot "L"	Placa "L"	Plaque "L"
H-158	Blade retainer	Junta tórica	Caoutchouc de retenu
* H-343	Gate "L"	Placa de nariz "L"	Plaque guide "L"
H-922	Ratchet pin assy	Pasador del retén	Axe du rochet

* H-049	Feeder "T"	Cargador "T"	Magasin "T"
* H-241	Gate "T"	Placa de nariz "T"	Plaque guide "T"

\* Tool comes standard in the "L" type configuration; may be ordered for "T" type cleats.  
 La configuration standard utilise des clous de type "L"; en option, l'outil peut utiliser les clous de type "T".